



PARTS CATALOGUE

RASCAL IXL-40



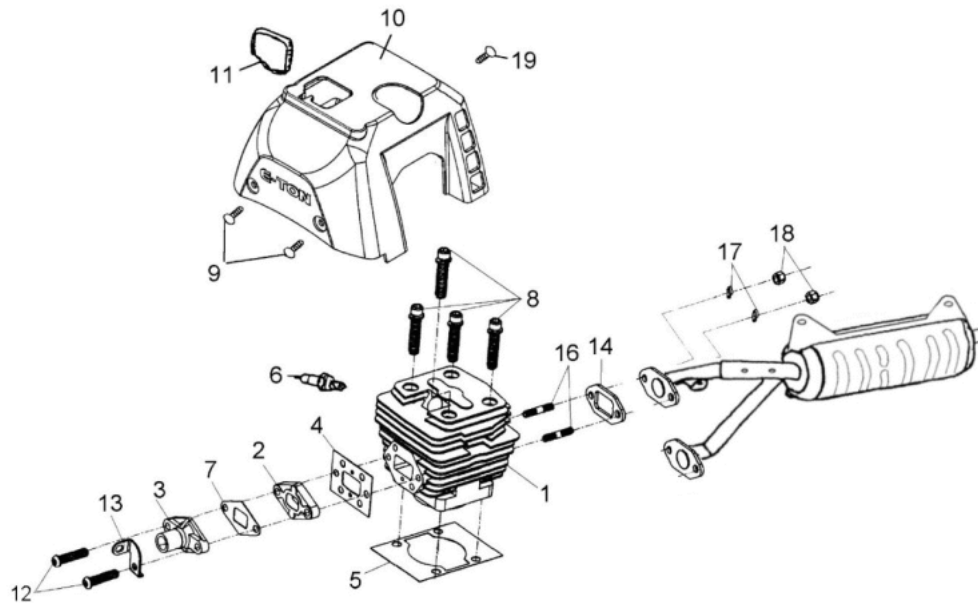
CONTENTS

PARTS ITEM:

- 1 CYLINDER, SHROUD CYLINDER
- 2 CRANK SHAFT, CRANK CASE, PISTON
- 3 TRANSMISSION
- 4 CARBURETOR, AIR CLEANER
- 5 STARTERENG ASSY
- 6 EXHAUST PIPE COVER
- 7 FRAME
- 8 SWING ARM
- 9 SWING ARM SUB
- 10 FENDER , SEAT
- 11 SUSPENSION
- 12 FUEL TANK
- 13 FRONT WHEEL
- 14 REAR WHEEL
- 15 REAR BRAKE
- 16 HANDLE BAR
- 17 FEND BAR , FOOTREST
- 18 REAR WHEEL AXLE
- 19 CHAIN
- 20 STEERING
- 21 BRAKE
- 22 TOOL BOX ,PACKING CASE,EXTERNAL

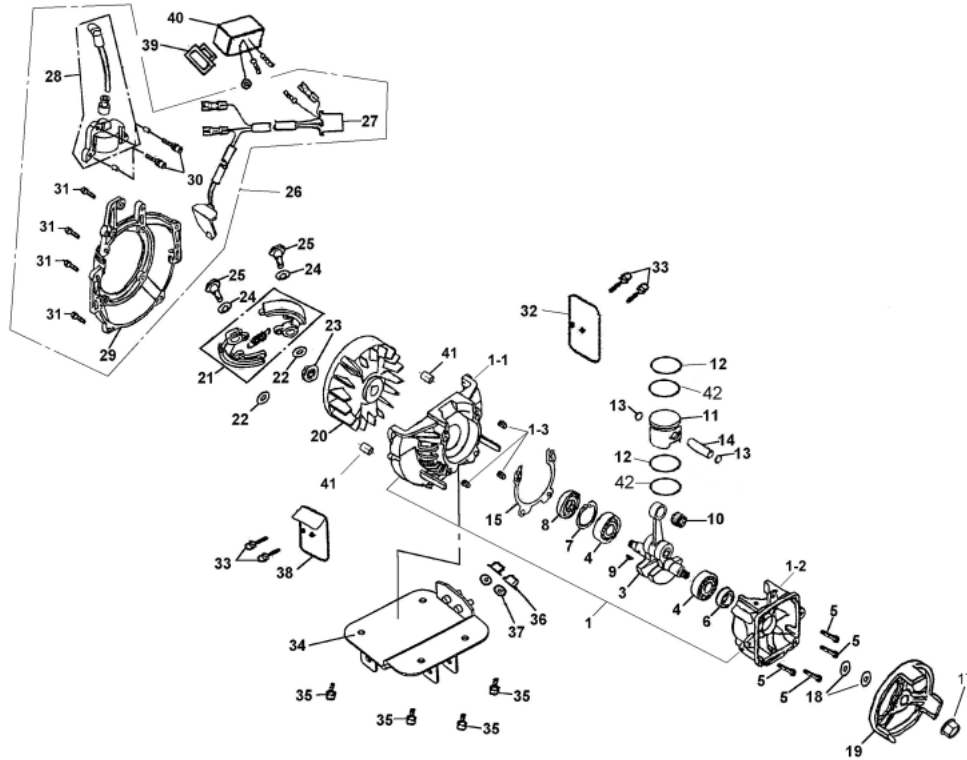
N & sign meaning: not available to sale

1. CYLINDER / SHROUD CYLINDER



ITEM	AVAIL	PART NO.	NAME	QTY
1			CYLINDER, SHROUD CYLINDER	
1-1		A2100-UE1-0001	CYLINDER COMP.	1
1-2		A7111-UE1-0000	INLET PIPE,INSULATOR	1
1-3		A7110-UE1-0002	PIPE INLET	1
1-4		A6201-UE1-0000	GASKET CARB INSULATOR	1
1-5		A2191-UE1-0000	GASKET CYLINDER	1
1-6		I8000-UE1-9000	SPARK PLUG (BPM6Y)	1
1-7		A6211-UE1-0000	GASKET CARB.	1
1-8		I6705-06035-0C	SCREW WASHER	4
1-9		I3893-05012-0G	SCREW WASHER	3
1-10		A9620-UE1-0001	SHROUD,CYLINDER	1
1-11		A9625-UE1-0000	CAP CYLINDER SHROUD	1
1-12		I3500-05028-0H	SCREW PAN	2
1-13		A7112-UE1-0000	CARB PLATE	1
1-14		A8291-UE1-0001	GASKET EXHAUST PIPE	1
1-15		A830A-UE1-0000	EXHAUST PIPE ASSY.	1
1-16		I2900-05016-0A	STUD BOLT	2
1-17		I4111-05100	SPRING WASHER	2
1-18		I0309-050G0	NUT, CHECK	2
1-19		I3893-05012-0H	SCREW WASHER	1

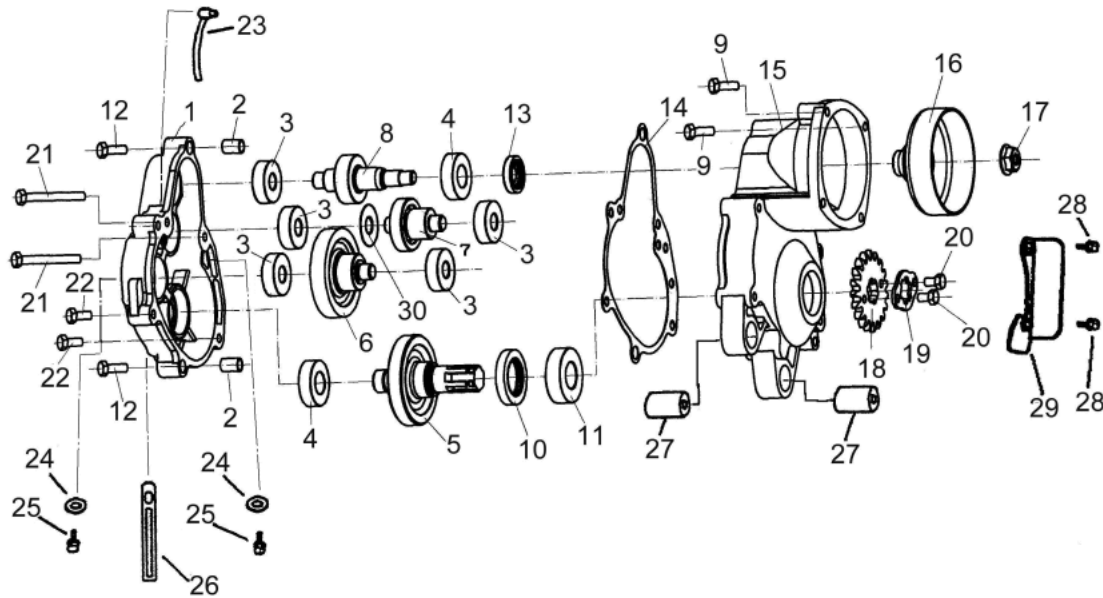
2.CRANK SHAFT/CRANK CASE/PISTON



ITEM	AVAIL	PART NO.	NAME	QTY
2			CRANK SHAFT, CRANK CASE, PISTON	
2-1		A1000-UE1-0900	CRANK CASE COMP	1
2-1-1	N	A1100-UE1-0903	R-CASE	1
2-1-2	N	A1200-UE1-0902	L-CASE	1
2-1-3		I4305-32082	SPRING PIN	3
2-3		A3000-UE1-8004	CRANKSHAFT COMP.	1
2-4		I6100-62013-10	BEARING, BALL, RADIAL	2
2-5		I3500-05028-0H	SCREW PAN	4
2-6		I1201-UE1-0000	OIL SEAL	1
2-7		I4520-32000	CIRCLIP	1
2-8		I1202-UE1-0000	OIL SEAL	1
2-9		I4401-10037	WOODRUFF KEY	1
2-10		I1100-1014148	BEARING, CON-ROD	1
2-11		A3101-UE1-0002	PISTON	1
2-12		A3011-B02-0000	PISTON RING SET	1
2-13		I4601-B02-0000	CLIP, PISTON PIN	2
2-14		A3111-B02-0000	PIN PISTON	1
2-15		A1192-UE1-0000	GASKET CRANK CASE	1
2-17		I0309-083H0	NUT CHECK	1
2-18		I4101-08516	WASHER	2
2-19		B8211-UE1-8000	CLUTCH ONEWAY	1
2-20		C1100-UE1-0001	A.C. GEN ASSY	1
2-21		B253A-UE1-9000	WEIGHT SET CLUTCH	1
2-22		I4104-08010	WASHER	2
2-23		I4050-08075-0H	NUT HEXAGON HEAD	1
2-24		I4121-10G00	WASHER WAVE	2
2-25		B2402-UE1-0000	BOLT WEIGHT CLUTCH	2
2-26		A133A-UE1-0001	R-COVER ASSY	1
2-27		C0520-UE1-0000	HOLDER COIL	1
2-28		C0510-UE1-0000	COIL ASS'Y IGNITION	1
2-29		A1331-UE1-0901	R-COVER	1
2-30		I3401-04020-0H	BOLT WASHER	2
2-31		I6706-05020-0C	SCREW WASHER	4
2-32		A1131-UE1-0000	FENDER	1
2-33		I3893-05012-0G	SCREW WASHER	4
2-34		E0102-UE1-0000	ENGINE BRACKET	1
2-35		I6706-06020-0C	SCREW WASHER	4
2-36		I4050-06060-0H	NUT FLANGE	2

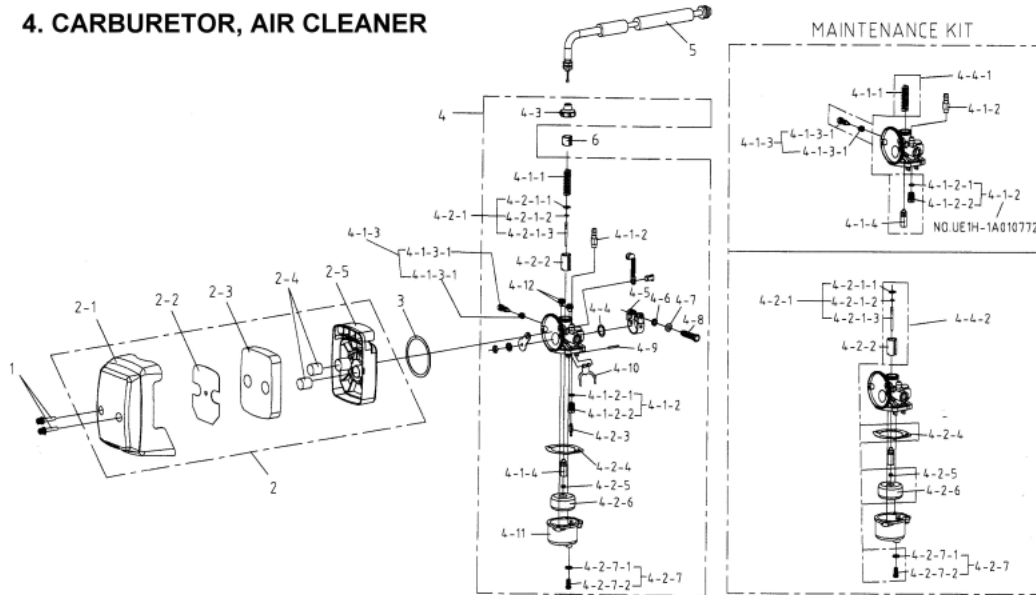
2-37		I4111-06100	SPRING WASHER	2
2-38		A1132-UE1-0000	FRONT FENDER	1
2-39		C0531-UE1-0000	JACKET RESTRICT VELOCITY UNIT	1
2-40		C0530-UE1-0000	RESTRICT VELOCITY UNIT	1
2-41		I4305-45100	SPRING-PIN	2
2-42		A3122-UE1-0000	INNER RING	2

3. TRANSMISSION



ITEM	AVAIL	PART NO.	NAME	QTY
3			TRANSMISSION	
3-1		B1300-UE1-0902	COVER, GEAR BOX	1
3-2		I4301-10140	KNOCK PIN	2
3-3		I6100-62013-10	BEARING, BALL, RADIAL	5
3-4		I6100-60030	BEARING, BALL, RADIAL	2
3-5		B3430-UE1-0000	FINAL SHAFT COMP.	1
3-6		B3420-UE1-0000	COUNTER GEAR COMP.	1
3-7		B3440-UE1-0000	IDLE GEAR COMP	1
3-8		B3411-UE1-0000	DRIVE SHAFT	1
3-9		I6001-06032-0C	BOLT HEXAGON HEAD	2
3-10		I1203-B00-0000	OIL SEAL	1
3-11		I6150-60040-10	BEARING, BALL, RADIAL	1
3-12		I6001-06035-0H	FLANGE BOLT, HEX.	2
3-13		I1225-42007	OIL SEAL(INNER)	1
3-14		B1395-UE1-0000	GASKET,GEAR BOX	1
3-15		B1200-UE1-0901	GEAR BOX	1
3-16		B2101-UE1-0000	CLUTCH OUTER COMP.	1
3-17		I4050-10080-0H	NUT FLANGE	1
3-18		B3801-UE1-0000	SPROCKET	1
3-19		B3811-A00-0000	PLATE FIXING	1
3-20		I2201-06010-0H	BOLT	2
3-21		I6001-06100-0C	BOLT HEXAGON HEAD	2
3-22		I6001-06028-0H	BOLT FLANGE SH	2
3-23		A1220-UE1-0000	BREATHER HOSE COMP.	1
3-24		I4102-08020	WASHER	2
3-25		I5801-08012-0H	FLANGE BOLT, HEX.	2
3-26		C2962-UE1-0000	CLAMPER PULSER CORD	1
3-27		A1203-B00-0000	RUBBER BUSH RR CUSHION	2
3-28		I6001-06020-0H	FLANGE BOLT, HEX.	2
3-29		B3821-UE1-0001	COVER SPROCKET	1
3-30		I4121-12J00	WASHER WAVE	1

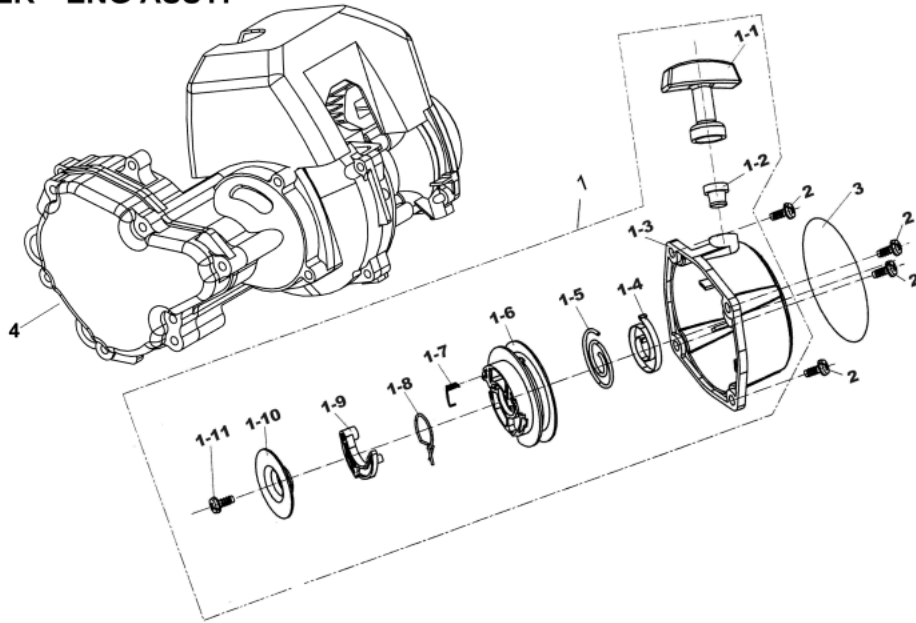
4. CARBURETOR, AIR CLEANER



ITEM	AVAIL	PART NO.	NAME	QTY
4			CARBURETOR, AIR CLEANER	
4-1		I3893-04025-0H	SCREW WASHER	2
4-2		A720A-UE1-0002	AIR CLEANER ASSY	1
4-2-1		A7231-UE1-0002	COVER AIR/C	1
4-2-2		A7232-UE1-0000	FILTER HOLDER	1
4-2-3		A7233-UE1-0000	ELEMENT	1
4-2-4		A7234-UE1-9000	BUSH	2
4-2-5		A7230-UE1-0001	CASE AIR/C	1
4-3		A7201-UE1-0000	GASKET AIR CLEANER	1
4-4		A610A-UE1-0001	CARBURETOR ASSY	1
4-4-1		A6100-UE1-A001	MAINTENANCE KIT 1	1
4-4-1		A6100-UE1-A003	MAINTENANCE KIT 3	1
4-4-1-1		KAC40410	THROTTLE VALVE VE SPRING	1
4-4-1-2		KBC40710	VALVE SEAT COMP	1
4-4-1-2		KAC40710	VALVE SEAT	1
4-4-1-2-1	N	KBC40711	O-RING	1
4-4-1-2-2	N	KBC40712	VALVE SEAT	1
4-4-1-3	N	KAC40920	THROTTLE ADJUSTING ASSY.	1
4-4-1-3-1	N	KAC40921	THROTTLE ADJUSTING	1
4-4-1-3-2	N	KAC40922	THROTTLE ADJUSTING SPRING	1
4-4-1-4	N	KAC40610	NEEDLE JET(*9.5)	1
4-4-2		A6100-UE1-A004	MAINTENANCE KIT 4	1
4-4-2		A6100-UE1-A002	MAINTENANCE KIT 2	1
4-4-2-1		KAC40230	JET NEEDLE ASSY.	1
4-4-2-1-1	N	KAC40310	CLIP(A)	1
4-4-2-1-2	N	KAC40233	CLIP(B)	1
4-4-2-1-3	N	KAC40231	JET NEEDLE(*183)	1
4-4-2-2	N	KAC40110	THROTTLE VALVE	1
4-4-2-3		KAC40810	NEEDLE VALVE	1
4-4-2-3	N	KBC40810	NEEDLE VALVE	1
4-4-2-4	N	KAC41010	CHAMBER PACKING	1
4-4-2-5	N	KAC40510	MAIN JET(*64)	1
4-4-2-6	N	KAC41110	FLOAT	1
4-4-2-7	N	KAC41320	DRAIN SCREW ASSY	1
4-4-2-7-1	N	KAC41322	WASHER	1
4-4-2-7-2	N	KAC41321	DRAIN SCREW	1
4-4-3		A6102-UE1-0000	CARBURETOR COVER	1
4-4-4		A6103-UE1-0000	WASHER	1
4-4-5		A6104-UE1-0000	BIND RING	1

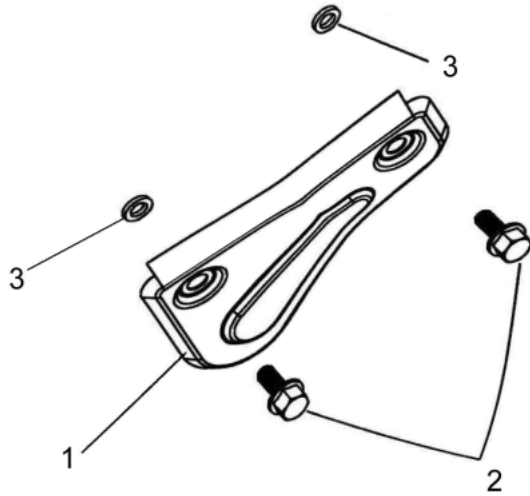
4-4-6		A6105-UE1-0000	WASHER	1
4-4-7		A6106-UE1-0000	SPRING WASHER	1
4-4-8		A6107-UE1-0000	BOLT	1
4-4-9		A6109-UE1-0000	FLOAT ARM PIN	1
4-4-10		A6108-UE1-0000	FLOAT ARM	1
4-4-11		A6111-UE1-0000	FLOAT ROOM	1
4-4-12		A6114-UE1-0000	BOLT	2
4-5		A7910-UE1-0001	CABLE ASSY THROT	1

5. STARTER · ENG ASSY.



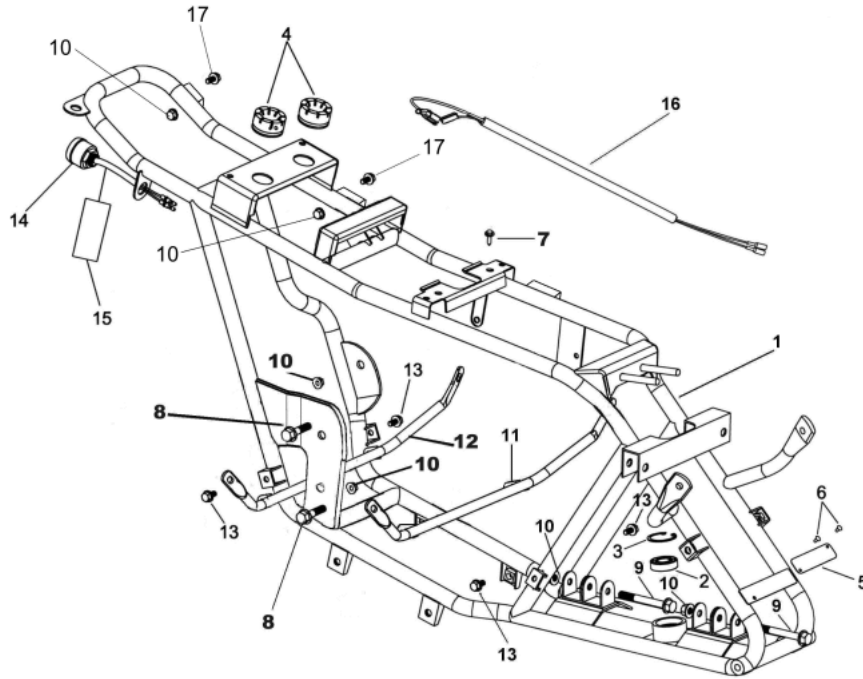
ITEM	AVAIL	PART NO.	NAME	QTY
5			STARTERENG ASSY	
5-1		A134A-UE1-8001	COVER ASSY L SIDE	1
5-1-1	N	A1342-UE1-8000	KNOB	1
5-1-2	N	A1351-UE1-8000	GROMMET	1
5-1-3	N	A1341-UE1-8000	L-COVER	1
5-1-4	N	A1343-UE1-8000	SPRING	1
5-1-5	N	A1345-UE1-8001	ROPE	1
5-1-6	N	A1344-UE1-8000	REEL	1
5-1-7	N	A1352-UE1-8000	RETURN PULL SPRING	1
5-1-8	N	A1346-UE1-8000	ARM	1
5-1-9	N	A1353-UE1-0000	TENSION ARM	1
5-1-10	N	A1347-UE1-8000	COLLAR	1
5-1-11	N	I3901-211H0	TAPPING SCREW PAN	1
5-2		I3893-06016-0H	SCREW WASHER	4
5-3		A1350-UE1-0000	LABEL RECOIL	1
5-4		AA000-UE1-8001	ENG ASSY.	1

6.EXHAUST PIPE COVER



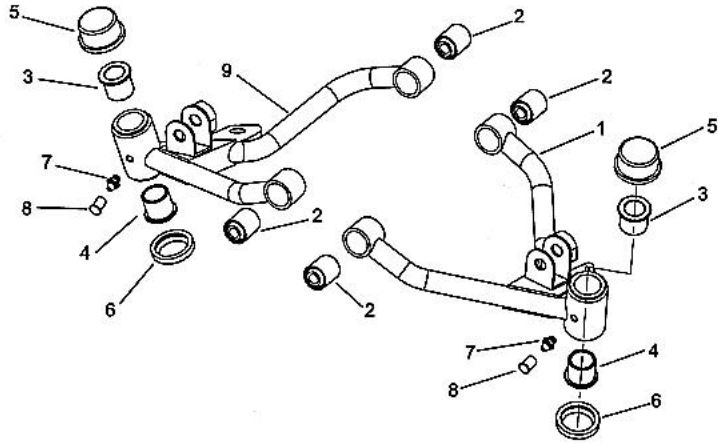
ITEM	AVAIL	PART NO.	NAME	QTY
6			EXHAUST PIPE COVER	
6-1		A8301-4HA0-0000	EXHAUST PIPE COVER	1
6-2		I3402-06012	SCREW (M6×12)	2
6-3		A830D-5EA0-0000	WASHER	2

7. FRAME



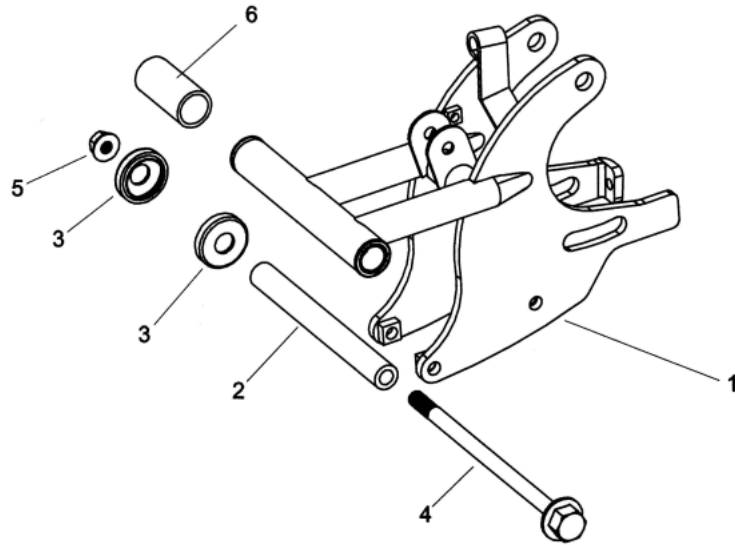
ITEM	AVAIL	PART NO.	NAME	QTY
7			FRAME	
7-1		E0100-4HA0-0000	FRAME COMP.	1
7-2		I6100-6002ZZ	BEARING (6002ZZ)	1
7-3		I4510-32000	C CLIP EX 32	1
7-4		G7212-5EA0-0000	RUBBER DAMPER	2
7-5	N	E0101-4HA0-0000	VIN PLATE	1
7-6		H750A-5BA1-0000	NAIL, PULL	2
7-7		I8557-06012	SCREW WASHER	1
7-8		I0149-08036-01	BOLT,FLANGE	2
7-9		I2502-08070-0B	BOLT,FLANGE(M8x70)	2
7-10		I5611-08200	NUT,FLANGE	6
7-11		E0105-4HA0-0000	FIXED PLATE,FRONT FENDER	1
7-12		E0106-4HA0-0000	FIXED PLATE,REAR FENDER	1
7-13		I0149-06012	FLANGE BOLT, HEX.	4
7-14		C2105-5EA0-1000	SAFETY SWITCH ASSY.	1
7-15		C2109-5EA0-0000	SAFETY SWITCH WARNING TAG	1
7-16		C2100-4HA0-0000	MAIN WIRE ASSY.	1
7-17		I0105-08040	BOLT, FLANGE	2

8.A-ARM



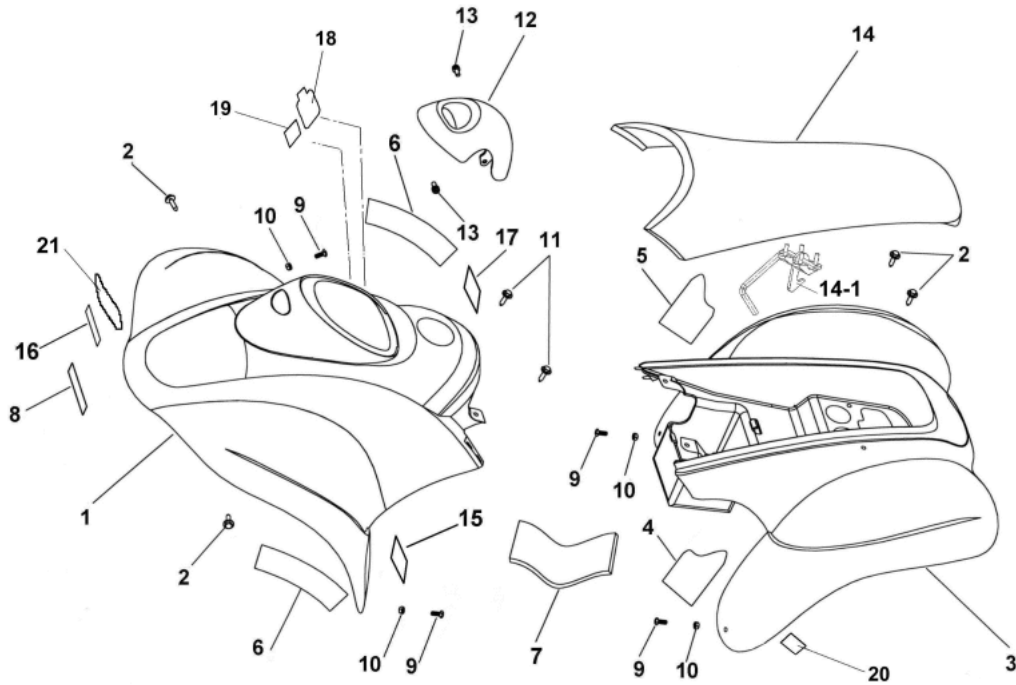
ITEM	AVAIL	PART NO.	NAME	QTY
8			SWING ARM	
8-1		E0200-4HA0-0000	ARM, SUSPENSION, L.H.	1
8-2	N	E0201-4HA0-0000	BUSH (20x8.1x21x24)	4
8-3		E0207-5EA0-0000	OIL LINER(15.5)	2
8-4		E0206-5EA0-0000	OIL LINER(17)	2
8-5		E0202-5EA0-0000	WATERPROOF SEAL	2
8-6		E0203-5EA0-0000	DUST SEAT	2
8-7		I6600-06000	GREASE VALVE	0
8-8		E0209-5EA0-9000	CAP, GREASE VALVE	2
8-9		E0210-4HA0-0000	ARM, SUSPENSION, R.H.	1

9.SWINGARM



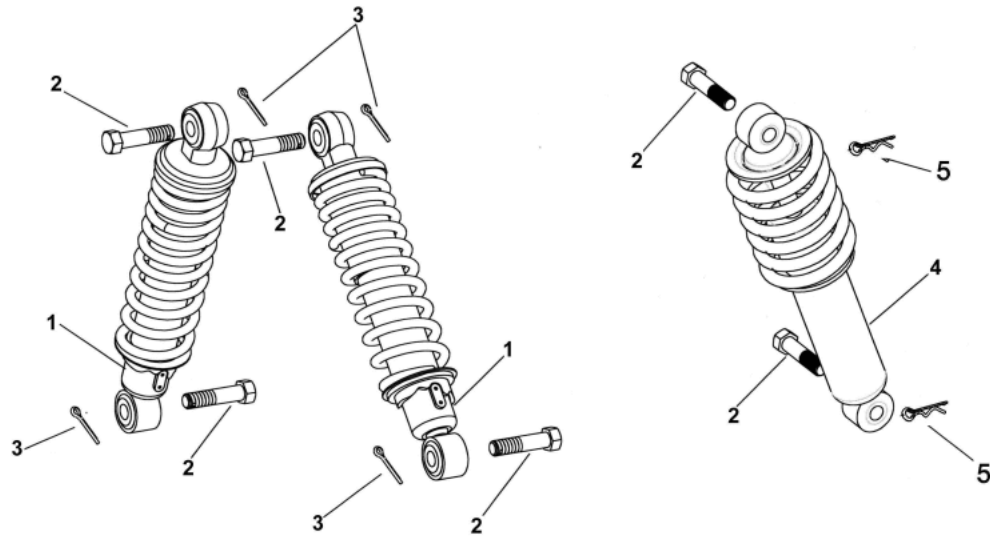
ITEM	AVAIL	PART NO.	NAME	QTY
9			SWING ARM SUB	
9-1		E220A-4HA0-0000	SWING ARM SUB ASSY.	1
9-2		E2209-4HA0-0000	SWING ARM SPACER(17×10×158.5)	1
9-3		E2205-4HA0-0000	SWING ARM SEAL COVER (25.4)	2
9-4		E2201-4HA0-0000	FLANGE BOLT, HEX.	1
9-5		I5612-10200	HEX. FLANGE NUT, SAFETY	1
9-6		E2202-4HA0-0000	RUBBER SLEEVE	1

10.FENDER,SEAT



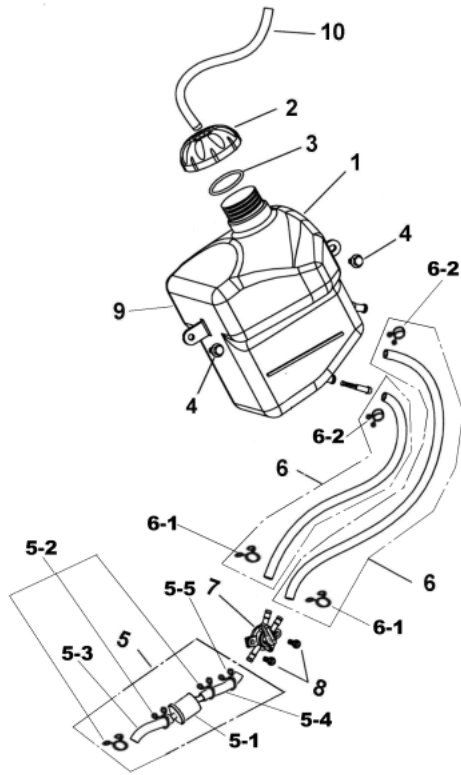
ITEM	AVAIL	PART NO.	NAME	QTY
10			FENDER , SEAT	
10-1		F4300-4HA0-0200	FRONT FENDER(REDF)	1
10-1		F4300-4HA0-2400	FRONT FENDER(BLUE)	1
10-2		I0119-06802	BOLT+WASHER	4
10-3		H3500-4HA0-2400	REAR FENDER(BLUE)	1
10-3		H3500-4HA0-0200	REAR FENDER(REDF)	1
10-4		H7101-4HA0-0000	STICKER, WARNING(PASSENGER)	1
10-5		H7102-4HA0-0000	STICKER, WARNING (Y6)	1
10-6		H7103-4HA0-0000	STICKER, RASCAL(L)	2
10-7		F4315-9FA0-0000	ISOLATE FOAM	1
10-8		F4309-5EA0-0000	STICKER, MFD.	1
10-9		E0117-9EA0-0000	SCREW, TRUSS	4
10-10		I5611-06200-0G	HEX. FLANGE NUT, SAFETY	4
10-11		I0119-06821	BOLT, HEX.	2
10-12		E3205-4HA0-2400	COVER, HANDLE BAR(BLUE)	1
10-13		I8556-06016	SCREW WASHER	2
10-14		G7200-4HA0-0000	SEAT ASSY.	1
10-14-1		G7201-5EB0-0000	SEAT FIXER ASSY	1
10-15		H7106-4HA0-0000	STICKER, WEIGHT LIMIT	1
10-16		H7108-5EB0-0000	STICKER, E-TON	1
10-21		H7107-5ED7-0000	EMBLEM,RAZOR	1

11. SUSPENSION



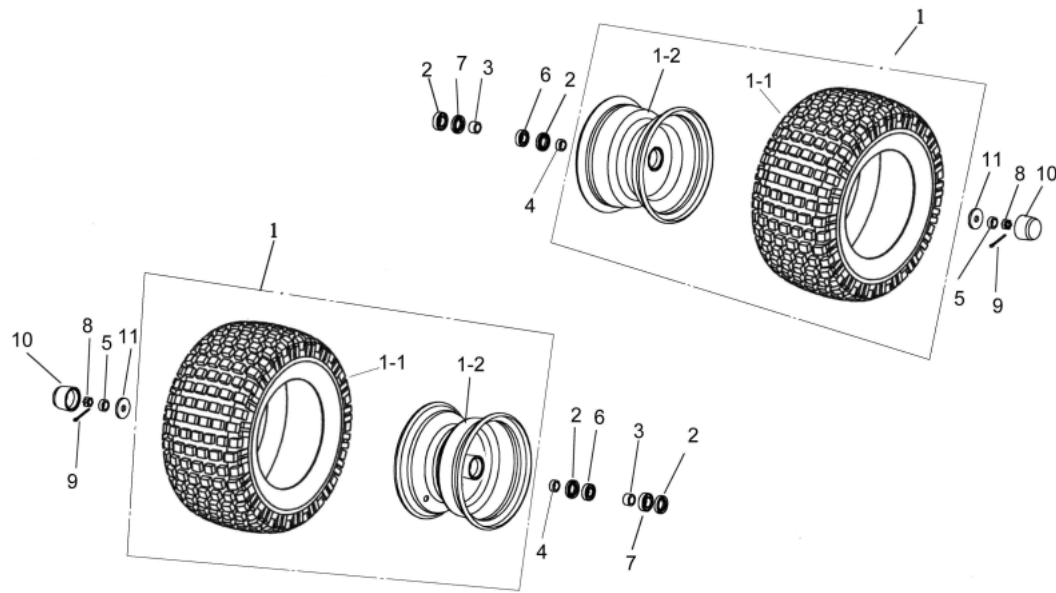
ITEM	AVAIL	PART NO.	NAME	QTY
11			SUSPENSION	
11-1		E1105-4HA0-0000	SUSPENSION FRONT	2
11-2		I0102-10040	PIN HOLE BOLT	6
11-3		I9900-25019	PIN, SPLIT	0
11-4		E2400-4HA0-0000	SHOCK ABSORBER ASSY. REAR	1
11-5		I0468-12006	PIN	2

12.FUEL TANK



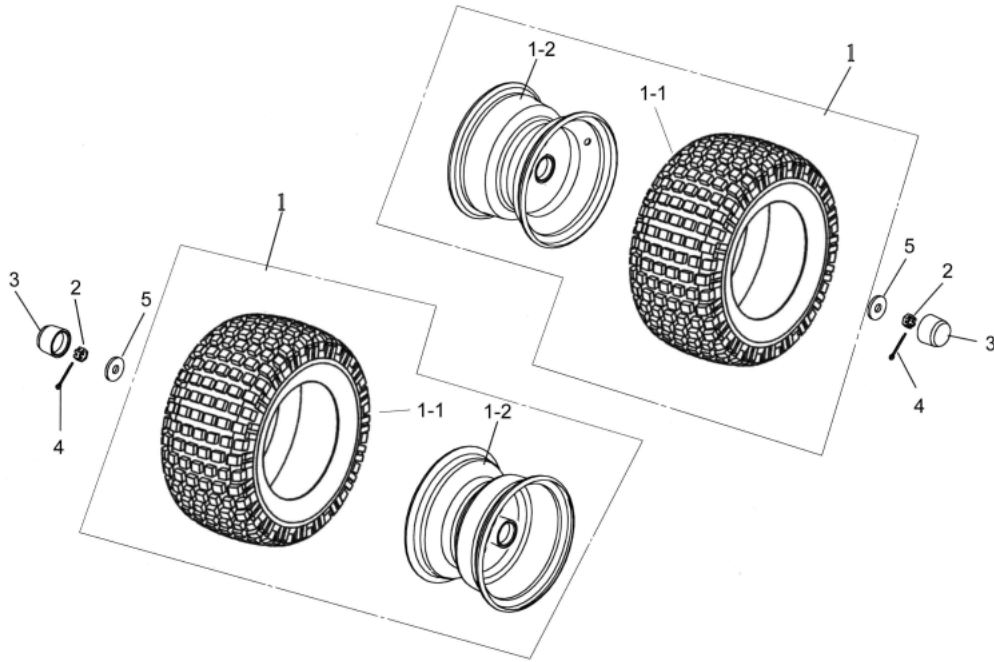
ITEM	AVAIL	PART NO.	NAME	QTY
12			FUEL TANK	
12-1		A7500-4HA0-0000	FUEL TANK ASSY.	1
12-2		A7620-5EA0-0000	FUEL TANK CAP	1
12-3		A7622-5EA0-0000	RUBBER PAD	1
12-4		I0119-06821	BOLT, HEX.	2
12-5		A751A-4HA0-1000	FUEL FILTER ASSY.	1
12-5-1		A7519-FIA0-1000	FUEL FILTER	1
12-5-2		A7516-5EA0-0000	CLIP(A)	3
12-5-3		A7514-4HA0-0000	FUEL TUBE (A)	1
12-5-4		A7515-4HA0-0000	FUEL TUBE (B)	1
12-5-5		A7516-4HA0-0000	CLIP(C)	1
12-6		A7501-4HA0-0000	MAIN/SPARE FUEL TUBE	2
12-6-1		A7516-5EA0-0000	CLIP(A)	2
12-6-2		A7517-5EA0-0000	CLIP(B)	2
12-7		A7520-5EA0-0000	MANUAL FUEL CUP	1
12-8		I8506-05016	SCREW PAN	2
12-9		A7509-4HA0-0000	PAD(5x10x130)	2
12-10		A7621-4HA0-0000	BREATHE TUBE	1

13. FRONT WHEEL



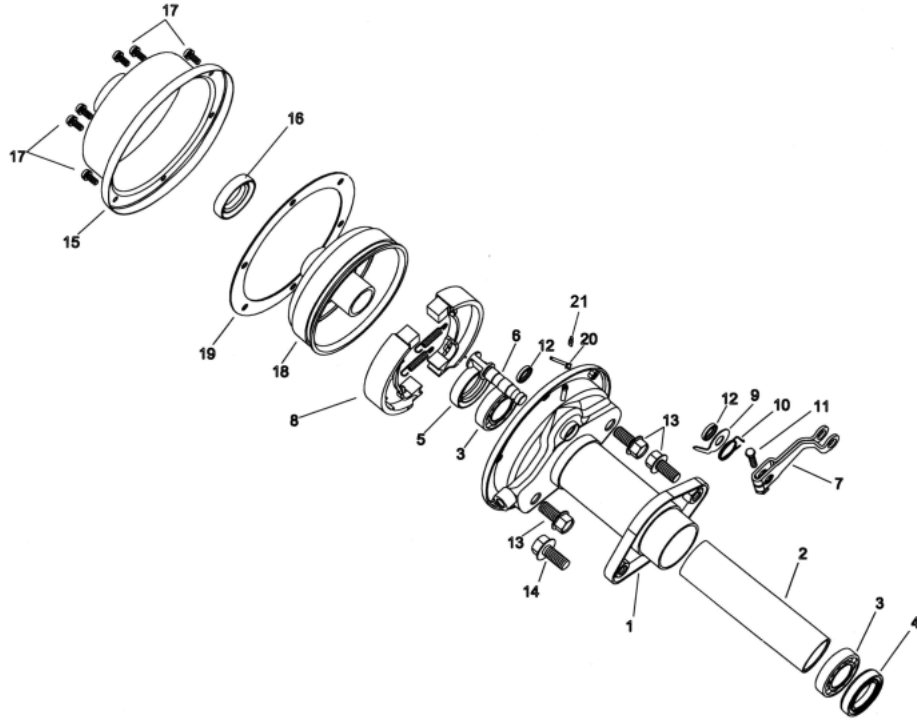
ITEM	AVAIL	PART NO.	NAME	QTY
13			FRONT WHEEL	
13-1		D471A-4HA0-0000	FRONT TIRE ASSY	2
13-1-1		D4710-4HA0-0000	WHEEL TIRE(145x70-6)	2
13-1-2	N	D4601-4HA0-0300	WHEEL RIM(WHITE)	2
13-1-2	N	D4601-4HA0-0000	WHEEL RIM	2
13-2		I3102-5AC0-0000	OIL SEAL	4
13-3		D4620-5EA0-0000	INNER SPACER	2
13-4		D4621-5EA0-0000	OUTER SPACER	2
13-5		D4622-4HA0-0000	OUTER SPACER(2)(17x21.7x17)	2
13-6		I6100-6002LLU	BEARING(6002LLU)	2
13-7		I6150-60030-10	BEARING, BALL, RADIAL	2
13-8		I5500-12000	CASTLE NUT	2
13-9		I9900-30032	COTTER PIN(1/8"x11/4")	0
13-10		D4609-5EA0-0001	RUBBER CAP	2
13-11		D4608-5EA0-0000	FRONT WHEEL SHAFT WASHER	2

14. REAR WHEEL



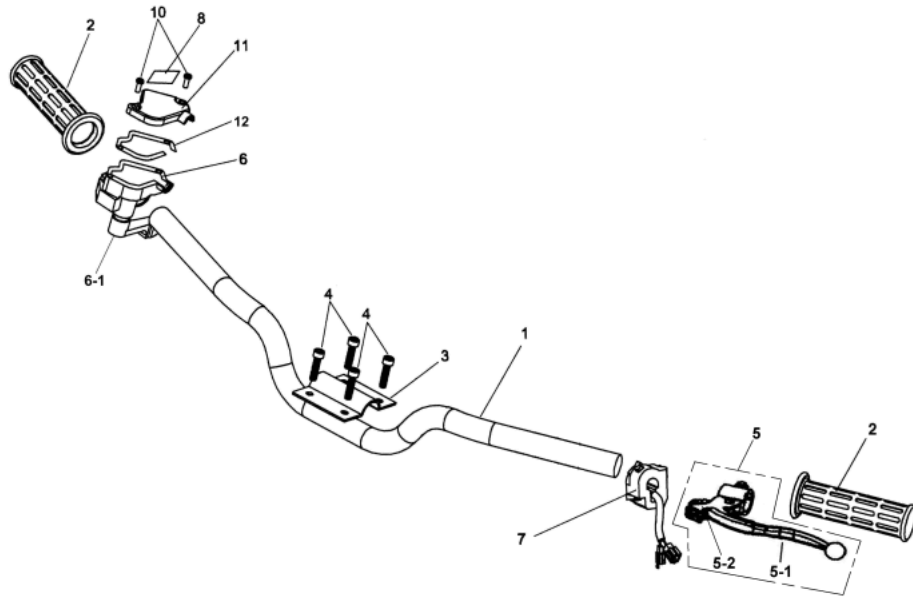
ITEM	AVAIL	PART NO.	NAME	QTY
14			REAR WHEEL	
14-1		D471B-4HA0-0000	REAR TIRE ASSY	2
14-1-1		D4710-4HA0-0000	WHEEL TIRE(145x70-6)	2
14-1-2	N	D4602-4HA0-0000	WHEEL RIM	2
14-1-2	N	D4602-4HA0-0300	WHEEL RIM(WHITE)	2
14-2		I5500-14100	CASTLE NUT	2
14-3		D4609-5EA0-0001	RUBBER CAP	2
14-4		I9900-30032	COTTER PIN(1/8"x11/4")	2
14-5		D2309-5EA0-0000	WASHER	2

15. REAR BRAKE



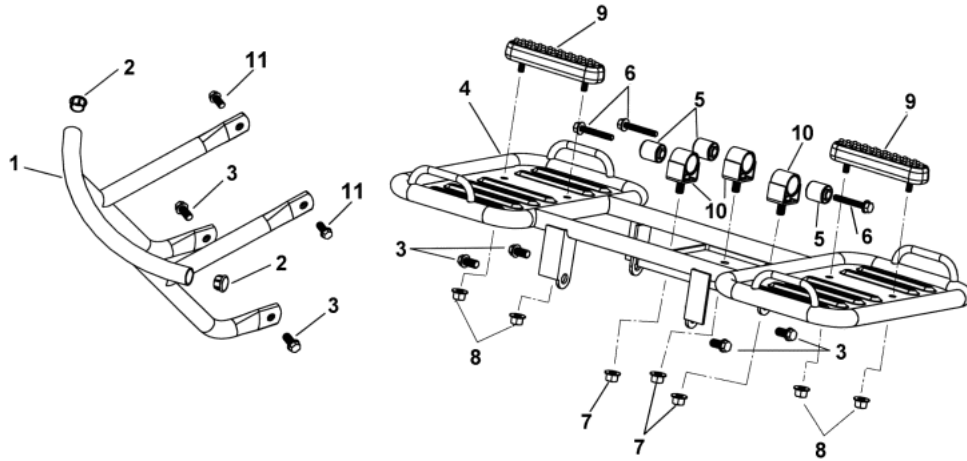
ITEM	AVAIL	PART NO.	NAME	QTY
15			REAR BRAKE	
15-1		D2310-4HA0-0000	REAR WHEEL BEARING SEAT ASSY.	1
15-2		D2311-4HA0-0000	SPACER(31x36x63.7)	1
15-3		I6100-6006ZZ	BEARING, BALL RADIAL	2
15-4		D2313-9EA0-0000	OIL SEAL	1
15-5		D2315-9EA0-0000	OIL SEAL(38x55x10)	1
15-6		D3141-5EA0-0000	BRAKE ARM CAM, REAR	1
15-7		D3410-4HA0-0000	BRAKE ARM, REAR	1
15-8		D3120-5EA0-0000	REAR BRAKE SHOE COMP.(130)	1
15-9		D3145-5EA0-0000	REAR BRAKE INDICATOR	1
15-10		D3419-5EA0-0000	REAR RETURN SPRING	1
15-11		I0020-06030	BOLT	1
15-12		D2314-5EA0-0000	OIL SEAL(14x20x4)	2
15-13		I0141-12020-01	SCREW, FLANGE (M12x20)	3
15-14		I0141-12025-01	FLANGE BOLT, HEX.	1
15-15		D3615-9EA0-0000	DRUM COVER, REAR	1
15-16		D3616-9EA0-0000	OIL SEAL(38x52x9)	1
15-17		I8557-06012	SCREW WASHER	6
15-18		D3610-9EA0-1000	REAR DRUM	1
15-19		D3611-5EA0-0000	GASKET, REAR DRUM COVER	1
15-20		D2316-5EA0-0000	DRAIN PIPE ASSY.	1
15-21		D2319-5EA0-0000	PLUG, PURGE HOLE	1

16.HANDLE BAR



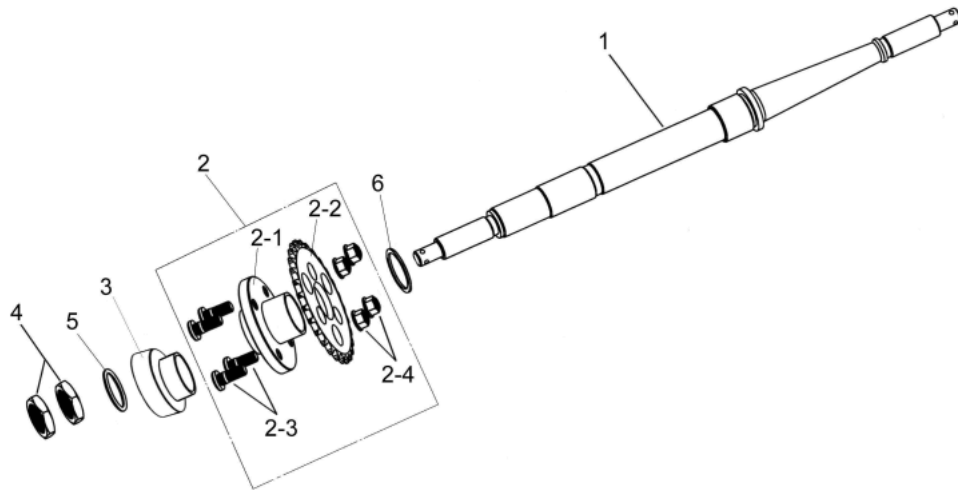
ITEM	AVAIL	PART NO.	NAME	QTY
16			HANDLE BAR	
16-1		E3100-4HA0-0000	HANDLE BAR ASSY.	1
16-2		E3166-4HA0-0000	GRIP HANDLE BAR CLAMP	2
16-3		E3111-4HA0-0000	HANDLE BAR CLAMP, CAP	1
16-4		I5701-06020-0C	BOLT, FLANGE (M6x20)	4
16-5		E3170-4HA0-0000	LEFT LEVEL ASSY.	1
16-5		E3170-4HA0-9000	LEFT LEVEL ASSY.	1
16-5-1		E3171-4HA0-0000	LEFT LEVEL	1
16-5-1		E3171-4HC0-0000	LEFT LEVEL	1
16-5-2		E3172-4HC0-0000	PLATE	1
16-6		E3180-4HA0-0000	RIGHT LEVEL ASSY.	1
16-6-1		E319A-4HA0-0000	LEVER ACCELERATE	1
16-7		C5200-4HA0-0000	HANDLE BAR ASSY. (LEFT)	1
16-8		H7107-4HA0-0000	STICKER, SPEED LIMIT	1
16-10		I8506-04016	SCREW,PAN HEAD	2
16-11		E3183-4HA0-0000	COVER,RIGHT LEVEL	1
16-12		E3188-5EA0-0000	GASKET, RIGHT LEVEL	1

17. FEND BAR, FOOTREST



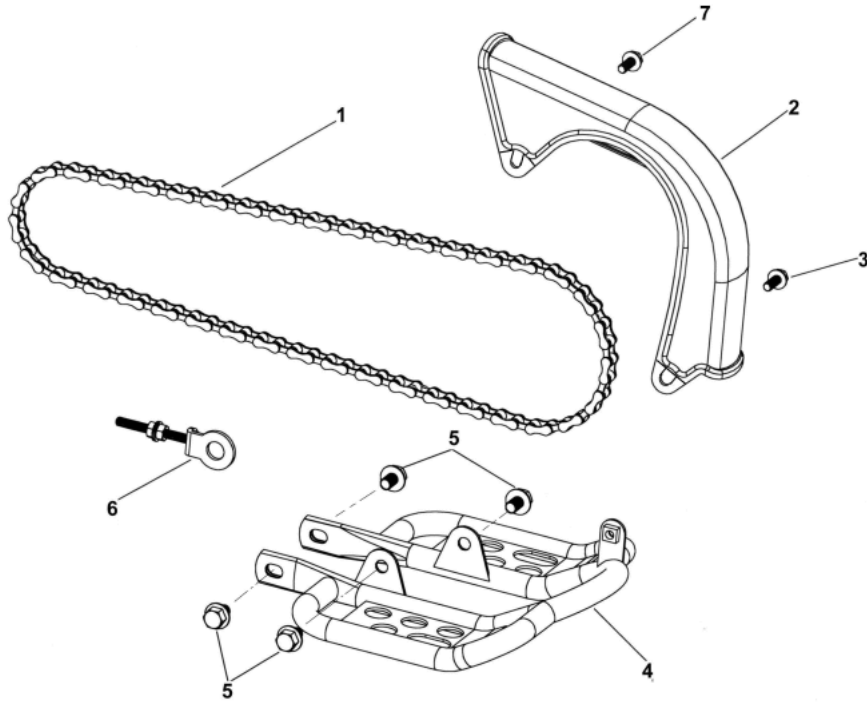
ITEM	AVAIL	PART NO.	NAME	QTY
17			FEND BAR , FOOTREST	
17-1		E0400-4HA0-0000	FEND BAR ASSY.	1
17-2		E0401-9FA0-0000	PLUG, FEND BAR	2
17-3		I0149-08016	FLANGE BOLT, HEX.	6
17-4		E0700-4HA0-0000	FOOTREST ASSY.	1
17-5	N	E0201-4HA0-0000	BUSH (20x8.1x21x24)	3
17-6		I0105-08040	BOLT, FLANGE	3
17-7		I5611-08200	NUT,FLANGE	3
17-8		I4071-06080	NUT, FLANGE CHECK(M6)	4
17-9		E0701-4HA0-0000	FOOTREST RUBBER	2
17-10		E0702-4HA0-0000	ENGINE MOUNTING ASSY.	3
17-11		I0149-08012	FLANGE BOLT, HEX.	2

18. REAR WHEEL AXLE



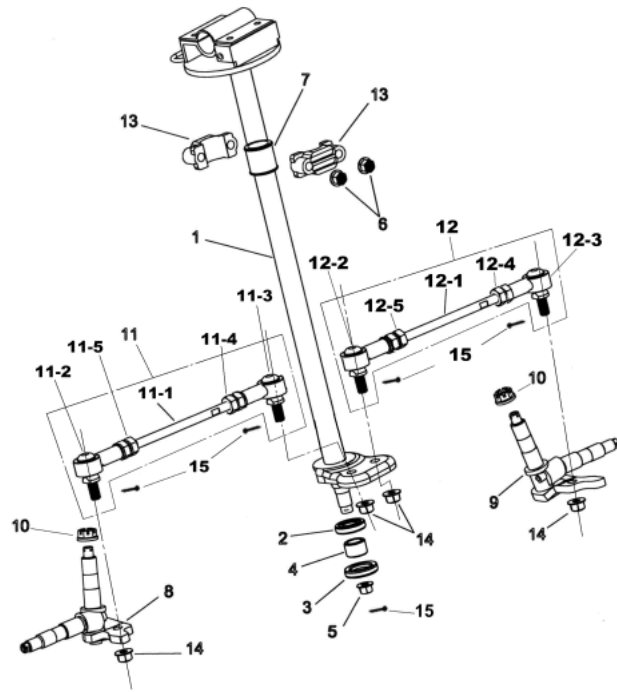
ITEM	AVAIL	PART NO.	NAME	QTY
18			REAR WHEEL AXLE	
18-1		D2301-4HA0-0000	REAR AXLE	1
18-2		D0110-4HA0-9000	DRIVE CHAIN ASSY (36T)	1
18-2-1		D0111-9EA0-0000	SPROCKET HOLDER, REAR	1
18-2-2		D1111-4HA0-9000	GEAR(420x36T)	1
18-2-3		D2706-9EA0-0000	BOLT	4
18-2-4		I5611-10200	FLANGE NUT CHECK	4
18-3		D0114-4HA0-0000	SPACER	1
18-4		D2302-9EA0-0000	NUT, REAR WHEEL AXLE	2
18-5		I1303-4HA0-0000	O-RING	1
18-6		I9905-35018	WASHER(42x35x1.8)	1

19. CHAIN



ITEM	AVAIL	PART NO.	NAME	QTY
19			CHAIN	
19-1		D0100-4HA0-9000	DRIVE CHAIN ASSY. (#420)	1
19-2		D0102-4HA0-0000	PROTECT COVER	1
19-3		I7507-06225	BOLT, HEX.	1
19-4		D0101-4HA0-0000	BELOW PROTECT COVER	1
19-5		I0149-08016	FLANGE BOLT, HEX.	4
19-6		D0120-4HA0-0000	CHAIN ADJUSTER	1
19-7		I0119-06030	BOLT, HEX.	1

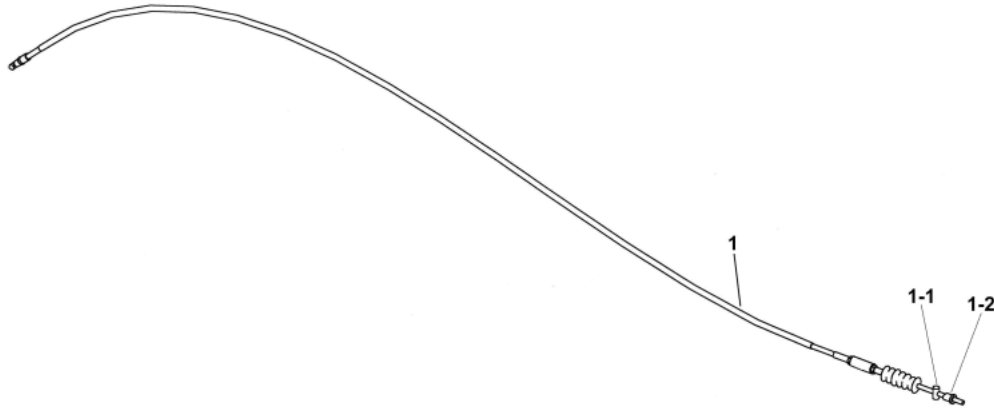
20. STEERING



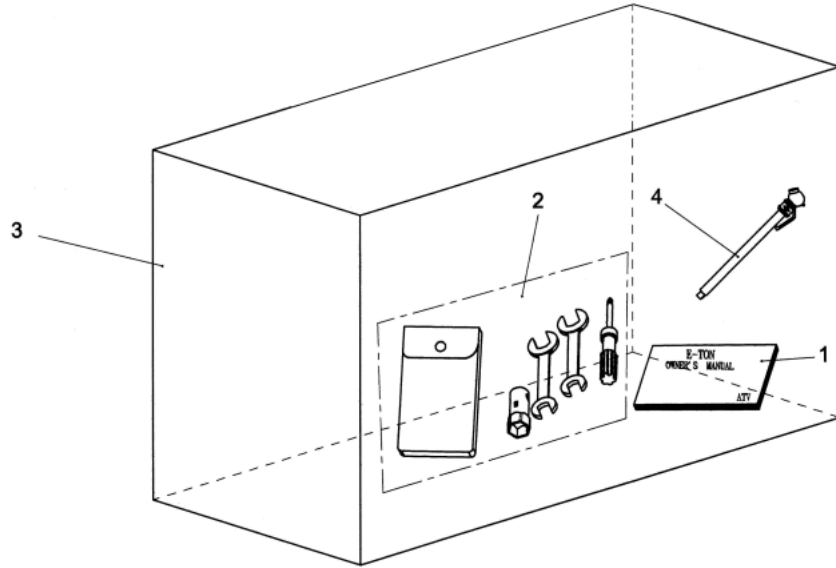
ITEM	AVAIL	PART NO.	NAME	QTY
20			STEERING	
20-1		E3200-4HA0-0000	SHAFT, STEERING	1
20-2		E3201-5EA0-0000	OIL SEAL	1
20-3		I3102-5AC0-0000	OIL SEAL	1
20-4		D4620-5EA0-0000	INNER SPACER	1
20-5		I5611-14200	HEX. FLANGE NUT, SAFETY	1
20-6		I5611-08200	NUT,FLANGE	2
20-7		E3225-5EA0-0000	PU LINER	1
20-8		E0205-4HA0-0000	LEFT, KNUCKLE	1
20-9		E0215-4HA0-0000	RIGHT, KNUCKLE	1
20-10		I5550-20000	NUT	2
20-11		E0258-4HA0-0000	STEERING TIE-ROD ASSY., LEFT	1
20-11-1		E0251-4HA0-0000	BOLT,STUD	1
20-11-2		E0255-FIA0-0000	UNIVERSAL JOINT(L)	1
20-11-3		E0256-FIA0-0000	UNIVERSAL JOINT(R)	1
20-11-4		E0252-5EA0-0000	NUT (R)	1
20-11-5		E0253-5EA0-0000	NUT (L)	1
20-12		E0259-4HA0-0000	STEERING TIE-ROD ASSY., RIGHT	1
20-12-1		E0251-4HA0-0000	BOLT,STUD	1
20-12-2		E0255-FIA0-0000	UNIVERSAL JOINT(L)	1
20-12-3		E0256-FIA0-0000	UNIVERSAL JOINT(R)	1
20-12-4		E0252-5EA0-0000	NUT (R)	1
20-12-5		E0253-5EA0-0000	NUT (L)	1
20-13		E3202-9FA0-0000	HOLDER, STEERING COLUMN	2
20-14		I5611-10200	FLANGE NUT CHECK	4
20-15		I9900-25019	PIN, SPLIT	5

21. BRAKE

ITEM	AVAIL	PART NO.	NAME	QTY
21			BRAKE	
21-1		E3450-4HA0-0000	CABLE, BRAKE REAR ASSY.	1
21-1-1		E3453-5EA0-0000	CIRCULAR CYLINDER	1
21-1-2		E3454-4HA0-0000	NUT,ADJUSTING	1



22.TOOL BOX,PAKING CASE,EXTERNAL



ITEM	AVAIL	PART NO.	NAME	QTY
22			TOOL BOX ,PACKING CASE,EXTERNAL	
22-1	N	H9900-4HA0-0000	OWNER'S MANUAL	1
22-2		H9020-4HA0-0000	TOOL SET	1
22-3		H9500-4HA0-9000	PACKING CASEEXTERNAL	1
22-4		H9022-5EA0-0000	PRESSURE METER	1